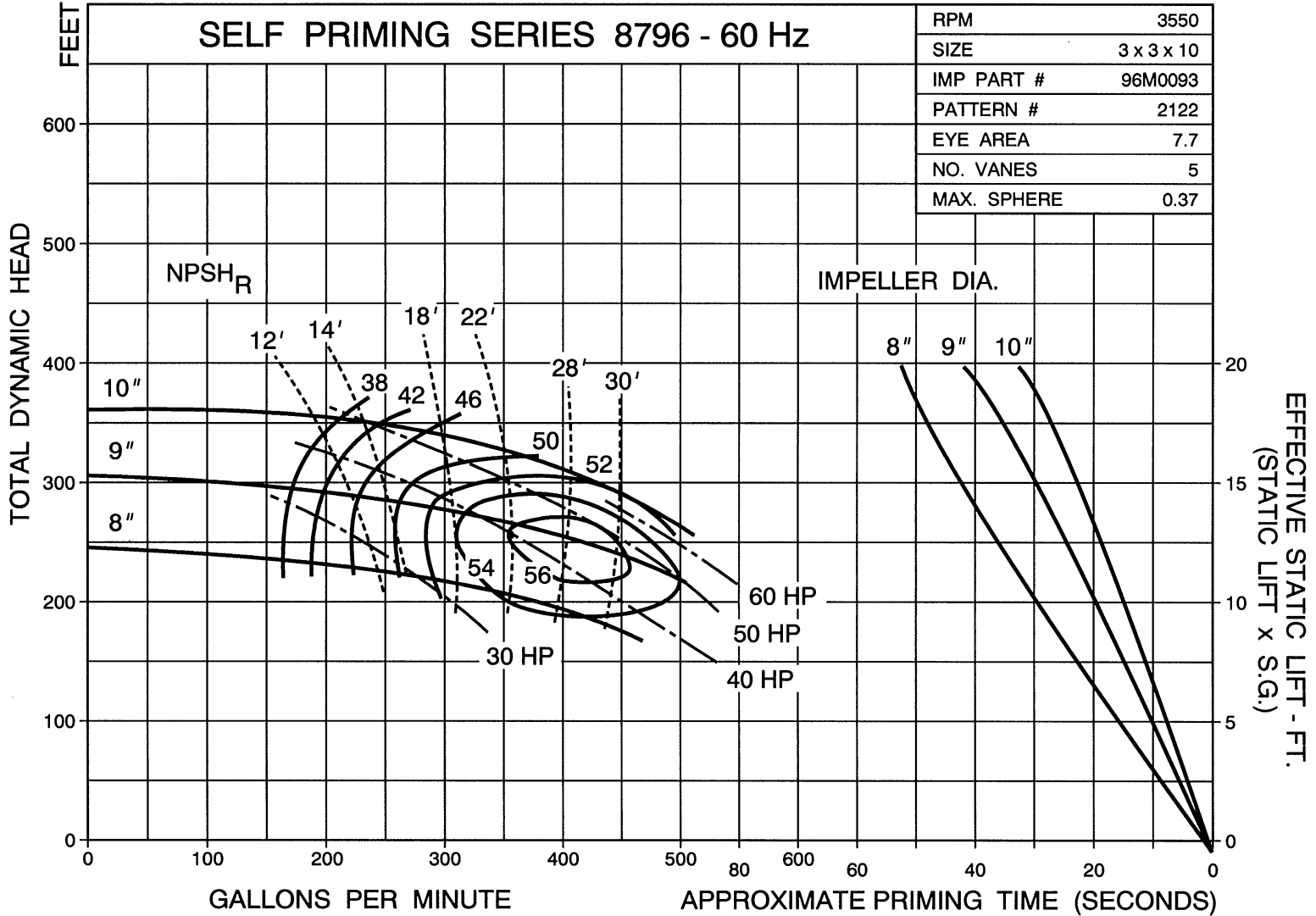


PEERLESS PROCESS PUMPS

CURVE NO. 8796-006

SELF PRIMING SERIES 8796 - 60 Hz

RPM	3550
SIZE	3 x 3 x 10
IMP PART #	96M0093
PATTERN #	2122
EYE AREA	7.7
NO. VANES	5
MAX. SPHERE	0.37



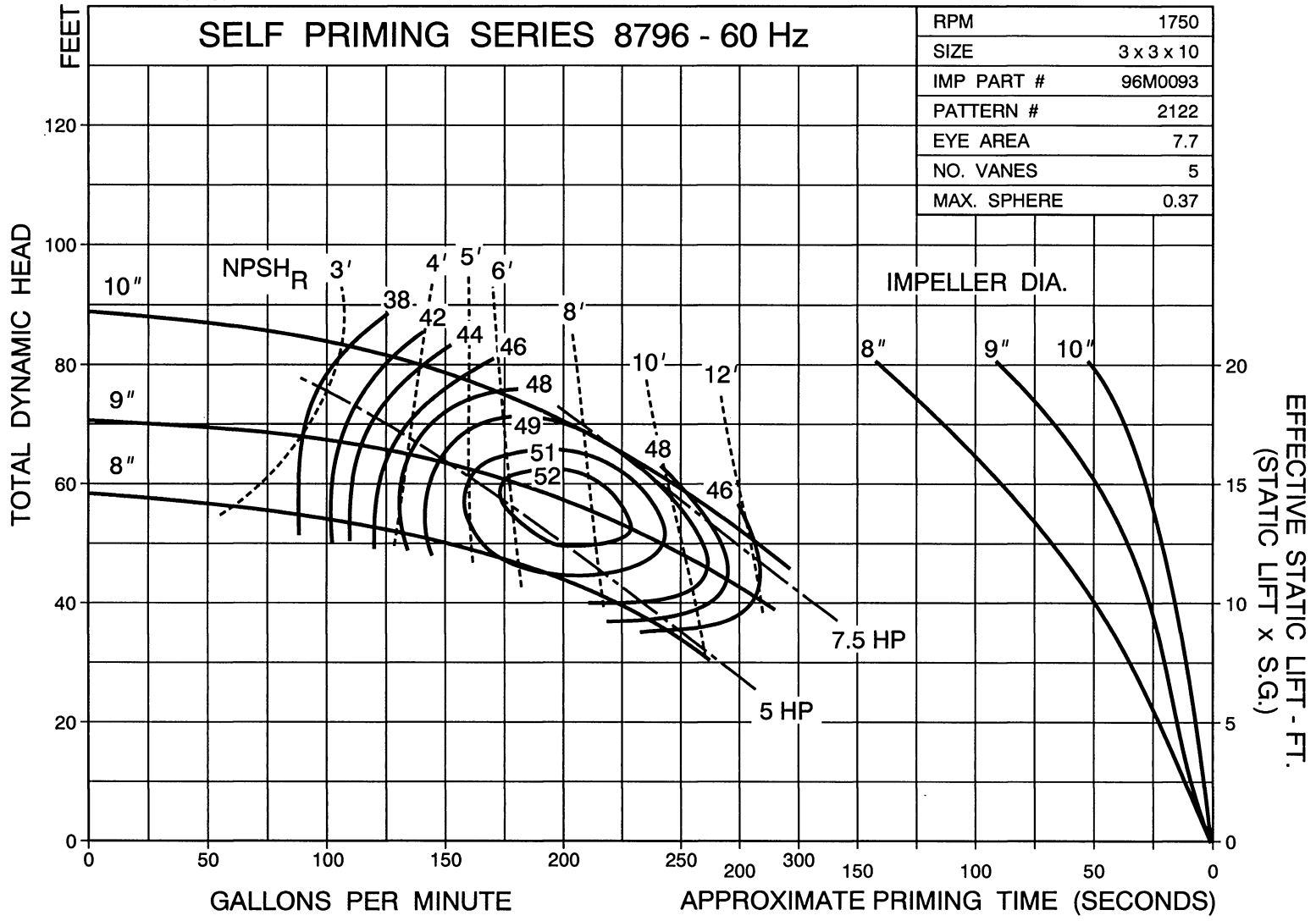
Subject to change without notice

CURVE NO. 8796-007

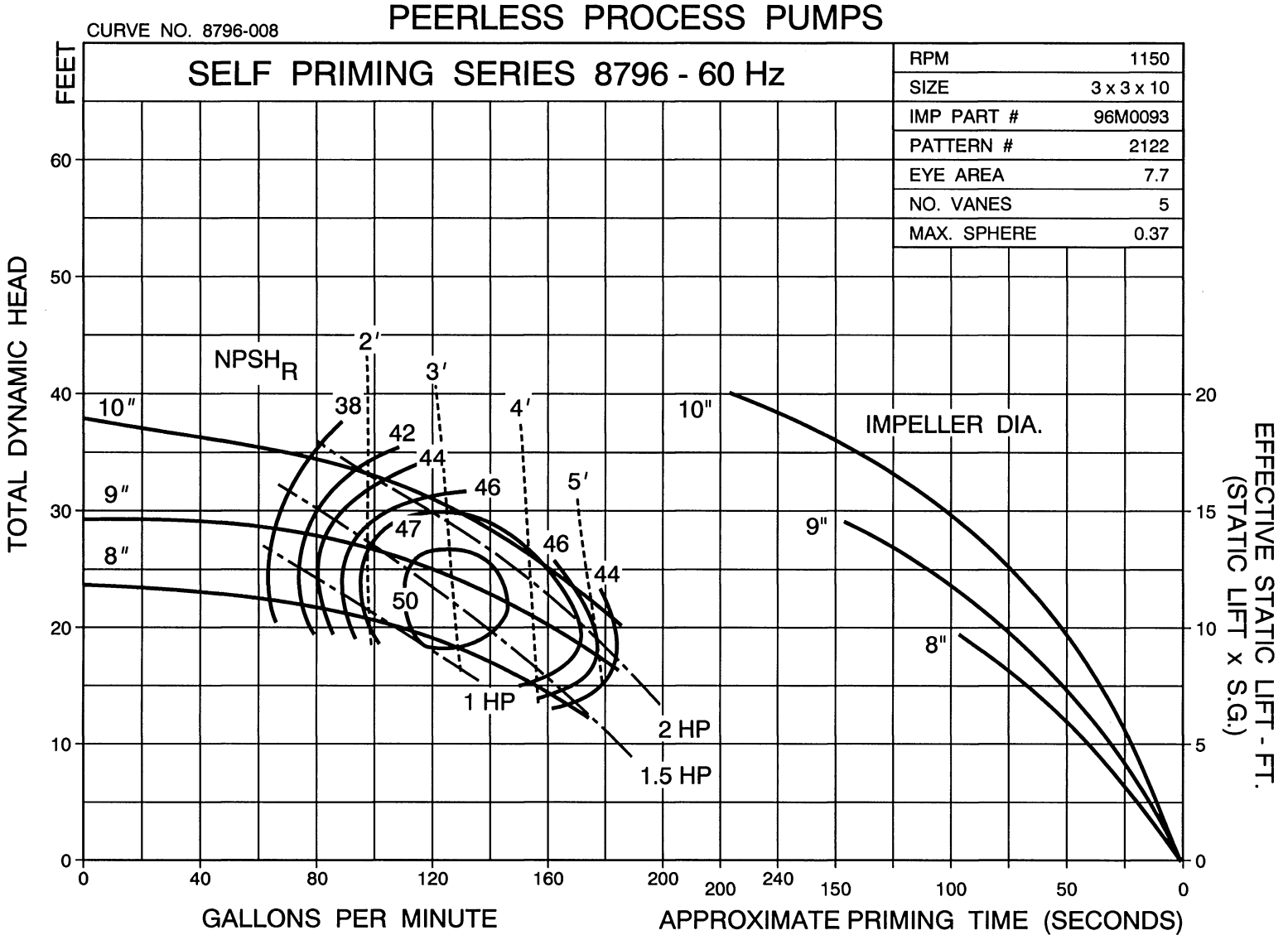
PEERLESS PROCESS PUMPS

SELF PRIMING SERIES 8796 - 60 Hz

RPM	1750
SIZE	3 x 3 x 10
IMP PART #	96M0093
PATTERN #	2122
EYE AREA	7.7
NO. VANES	5
MAX. SPHERE	0.37



Subject to change without notice



Subject to change without notice



Peerless Pump Company
Indianapolis, IN 46207-7026

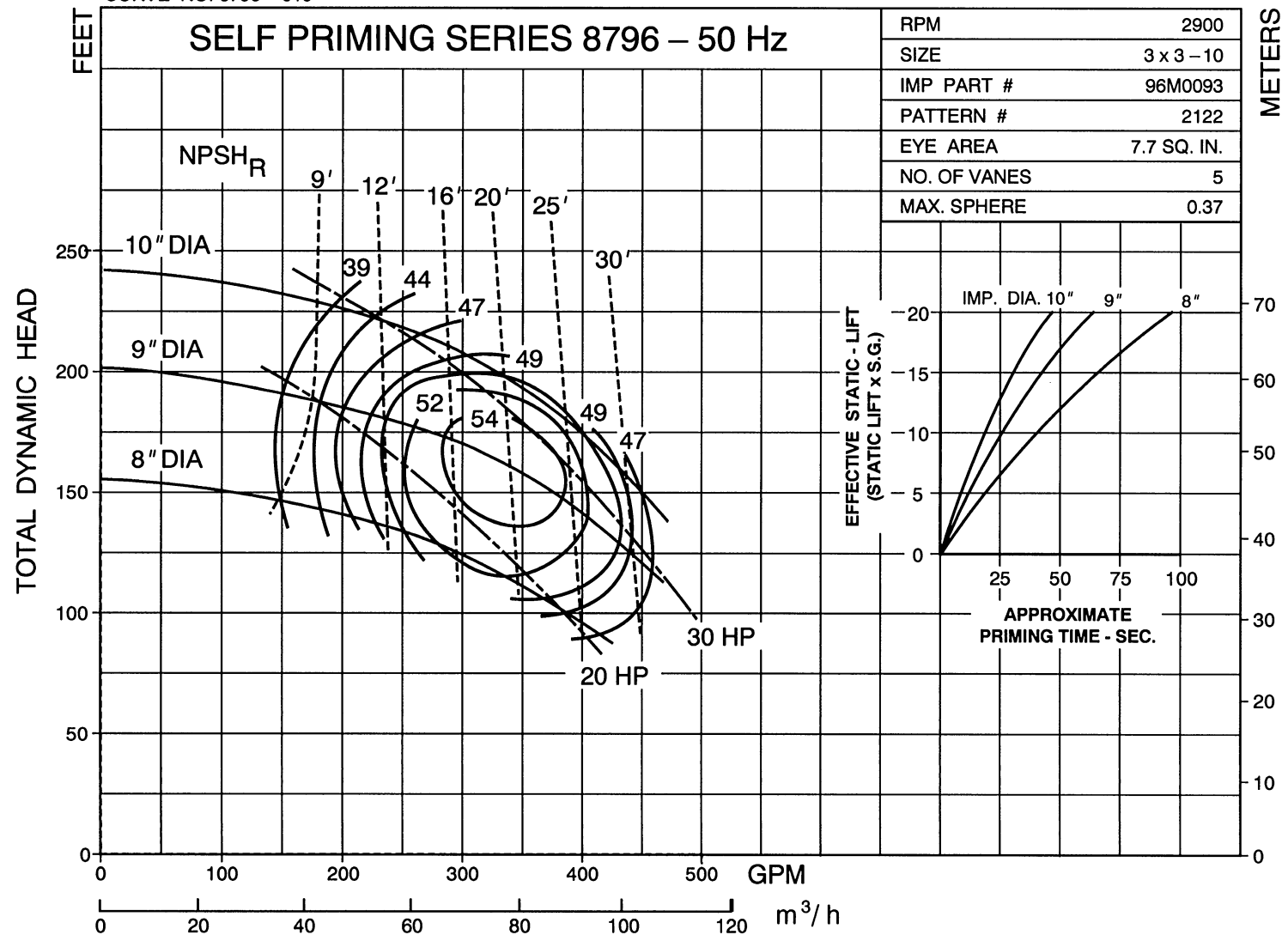
Section 8240
Page 21
Effective 2/15/93

PEERLESS PROCESS PUMPS

CURVE NO. 8796 - 019

SELF PRIMING SERIES 8796 - 50 Hz

RPM	2900
SIZE	3 x 3 - 10
IMP PART #	96M0093
PATTERN #	2122
EYE AREA	7.7 SQ. IN.
NO. OF VANES	5
MAX. SPHERE	0.37



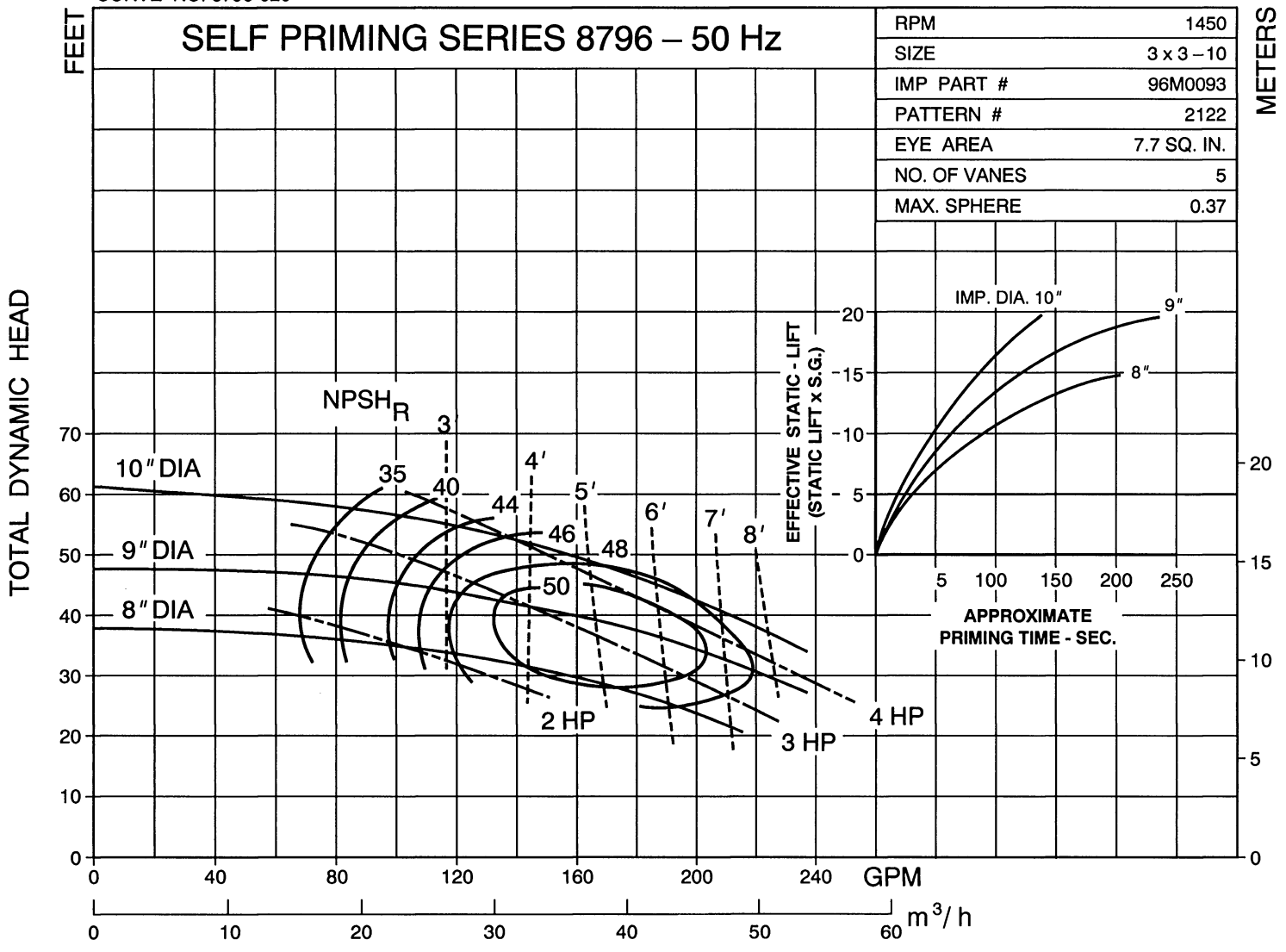
Subject to change without notice

PEERLESS PROCESS PUMPS

CURVE NO. 8796-020

SELF PRIMING SERIES 8796 – 50 Hz

RPM	1450
SIZE	3 x 3 – 10
IMP PART #	96M0093
PATTERN #	2122
EYE AREA	7.7 SQ. IN.
NO. OF VANES	5
MAX. SPHERE	0.37



Subject to change without notice